

Measurement Activity Using the Lengths of Native Australian Animals

Aim: To educate children on some of Australia's native animals and the lengths they can grow up to. To provide an activity that encourages children to understand early measurement concepts.

Learning outcomes explored in relation to the EYLF

Outcome 2: Children are connected with and contribute to their world:

Children use play to investigate, project and explore new ideas.

Outcome 4: Children are Confident and Involved Learners:

Children create and use representation to organise, record and communicate mathematical ideas and concepts.

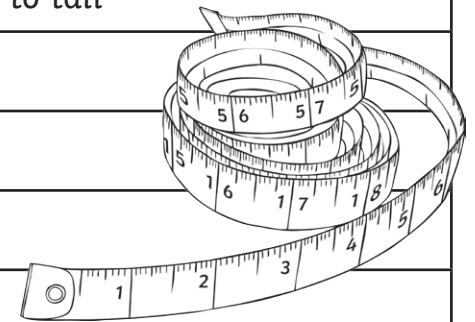
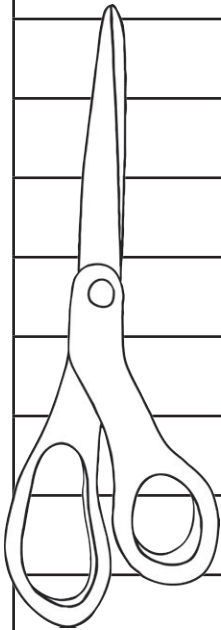
Key Questions:

- Ask the children to place the animals on the wall in the order of the shortest to the longest animal.
- Ask the children to find which animal is closest to being the same length as them.
- Which animal is the smallest?
- Which animal is the longest?

Lengths of Native Australian Animals

Below are the lengths that some of Australia's native animals have been recorded to grow up to. With a tape measure, measure and cut pieces of wool or string to the length of each animal.

Australian Animals	Length
long-nosed bandicoot	43cm
quokka	54cm
ringtail possum	65cm from nose to tip of tail
koala	78cm
wallaby	1.8m from head to tail
wombat	1m
dingo	1.5m from tip of nose to tail
red kangaroo	2.7m from head to tail
emu	2m
cassowary	2m
freshwater crocodile	3m
saltwater crocodile	7m



Lengths of Native Australian Animals

Cut out the animals and attach it to the length of string so you have an image of the animal at the top and the string attached showing the length that it can grow to.



long-nosed bandicoot



quokka



ringtail possum



koala



wallaby



wombat



dingo



red kangaroo



emu



cassowary



freshwater crocodile



saltwater crocodile