

2025 PTV School Student ID and Student Pass application form*

Applicant details

First name

Last name

Address

State

Postcode

Phone number

School declaration

I confirm the details of the student named in this application form are correct. I've checked the student's school records and the student is full-time and eligible for a PTV School Student ID. I agree that this school will let PTV know if these details change.

Signature of Principal, Bursar, Registrar or Secretary

Date (DD/MM/YYYY)

Name of signatory

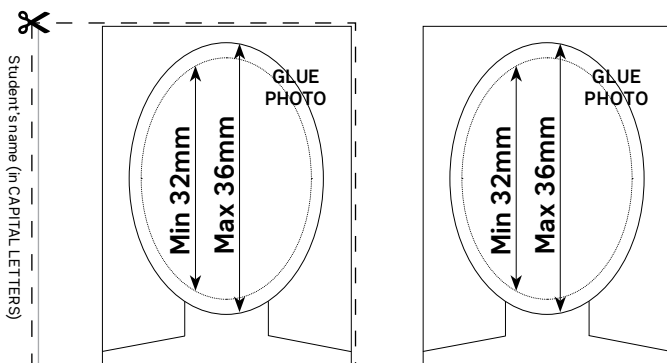
School Name

School telephone number

Official school stamp

*A \$9 application fee applies.

Please attach photos here



- Photos must be passport style and include head and shoulders. School photos or photos taken using a smartphone against a white background may be used
- Make sure they're colour, in focus and identical
- Don't use sticky tape
- Stamp the photos with your official stamp. Stamp the top left hand corner, not over the face.

Locations of issue: Metropolitan Premium Stations, staffed V/Line Stations, PTV Hub, regional bus operators & V/Line ticket agents. Call **1800 800 007** for locations and hours of operation or visit ptv.vic.gov.au

Some stations may not be able to process forms before 9.30am and between 3.30pm to 6.00pm on weekdays.

File Number

Student Passes

Choose your pass.

Pass validity dates – all from date of purchase until:

1st Half Year 31 July 2025, 2nd Half Year 28 February 2026, Year 28 February 2026.

Year and 1st Half Year Passes available to purchase from 1 January 2025.

2nd Half Year Pass available to purchase from 1 July 2025.

Victorian Student Pass: Half Year \$ 393.00 Year \$ 755.00

Regional Student Pass:

Geelong (myki) <input type="checkbox"/> Half Year \$ 186.00 <input type="checkbox"/> Year \$ 372.00	Southwest (paper) <input type="checkbox"/> Half Year \$ 147.00 <input type="checkbox"/> Year \$ 294.00
Ballarat (myki) <input type="checkbox"/> Half Year \$ 186.00 <input type="checkbox"/> Year \$ 372.00	Colac (paper) <input type="checkbox"/> Half Year \$ 147.00 <input type="checkbox"/> Year \$ 294.00
Bendigo (myki) <input type="checkbox"/> Half Year \$ 147.00 <input type="checkbox"/> Year \$ 294.00	Portland (paper) <input type="checkbox"/> Half Year \$ 147.00 <input type="checkbox"/> Year \$ 294.00

Terms and conditions and privacy

1. Issued subject to the Transport (Compliance and Miscellaneous) Act 1983, the Regulations, conditions in the Victorian Fares and Ticketing Conditions, and Conditions of Use on the back of your PTV School Student ID.
2. You must carry your PTV School Student ID or PTV Approved School Student ID when travelling on a Student Pass or concession fare, and present it on request.
3. Your PTV School Student ID and pass remain PTV's property.
4. Your PTV School Student ID and Student Pass can only be used by you and can't be transferred to others.
5. It's your responsibility to ensure you remain eligible for your PTV School Student ID. If you're no longer an eligible full time student, return your PTV School Student ID and Student Pass to the place of purchase for a refund.
6. PTV collects your personal information to assess eligibility, administer and manage PTV School Student ID and/or Student Pass applications. PTV may use or disclose your personal information to relevant government agencies and transport operators for purposes associated with the administration of public transport ticketing laws. PTV manages your personal information in accordance with its privacy policy at ptv.vic.gov.au. If you choose not to provide the information requested, PTV may not be able to process your application. You can access your personal information by email: ptvprivacy@ptv.vic.gov.au or mail PTV Information Officer, PO Box 4724, Melbourne VIC 3001.

I agree to these terms and conditions and have read the privacy notice.

Signature of student or parent/guardian

Date (DD/MM/YYYY)

Name of signatory

Office use only

PTV School Student ID number

Concession myki card number

Regional Student Pass number (paper)

Date of issue

Date entered into database

By (initials):

Replacement PTV School

Student ID number

Replacement myki card number

Replacement Regional Student Pass number

Date of issue

Date entered into database

By (initials)